

SPECIFICATIONS

Metric With ratchet stop		
Range	Order No.	Accuracy
0 - 25mm	293-230 / 293-240*	±1µm
25 - 50mm	293-231 / 293-241*	±1µm
50 - 75mm	293-232 / 293-242*	±1µm
75 - 100mm	293-233 / 293-243*	±2µm
100 - 125mm	293-250-10	±2µm
125 - 150mm	293-251-10	±2µm
150 - 175mm	293-252-10	±3µm
175 - 200mm	293-253-10	±3µm
200 - 225mm	293-254-10	±3µm
225 - 250mm	293-255-10	±4µm
250 - 275mm	293-256-10	±4µm
275 - 300mm	293-257-10	±4µm

*without SPC data output

Metric With ratchet thimble		
Range	Order No.	Accuracy
0 - 25mm	293-234 / 293-244*	±1µm
25 - 50mm	293-235 / 293-245*	±1µm
50 - 75mm	293-236 / 293-246*	±1µm
75 - 100mm	293-237 / 293-247*	±2µm

*without SPC data output

Metric With friction thimble		
Range	Order No.	Accuracy
0 - 25mm	293-238 / 293-248*	±1µm

*without SPC data output

Inch/Metric With ratchet stop		
Range	Order No.	Accuracy
0 - 1"	293-330 / 293-340*	±.00005"
1" - 2"	293-331 / 293-341*	±.00005"
2" - 3"	293-332 / 293-342*	±.00005"
3" - 4"	293-333 / 293-343*	±.0001"
4" - 5"	293-350-10	±.0001"
5" - 6"	293-351-10	±.0001"
6" - 7"	293-352-10	±.00015"
7" - 8"	293-353-10	±.00015"
8" - 9"	293-354-10	±.00015"
9" - 10"	293-355-10	±.0002"
10" - 11"	293-356-10	±.0002"
11" - 12"	293-357-10	±.0002"

*without SPC data output

Inch/Metric With ratchet thimble		
Range	Order No.	Accuracy
0 - 1"	293-334 / 293-344*	±.00005"
1" - 2"	293-345*	±.00005"
2" - 3"	293-346*	±.00005"
3" - 4"	293-347*	±.0001"

*without SPC data output

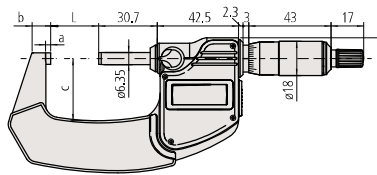
Inch/Metric With friction thimble		
Range	Order No.	Accuracy
0 - 1"	293-335 / 293-348*	±.00005"
1" - 2"	293-336	±.00005"

*without SPC data output

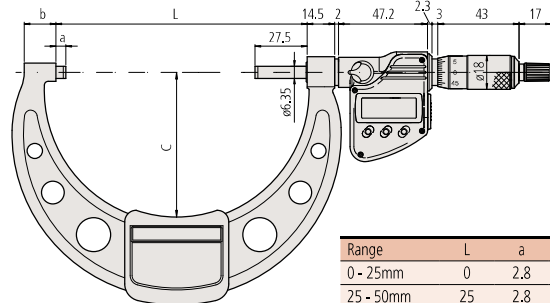
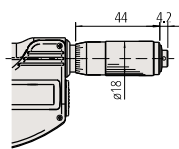
DIMENSIONS AND MASS

Unit: mm

Ratchet stop type up to 100mm

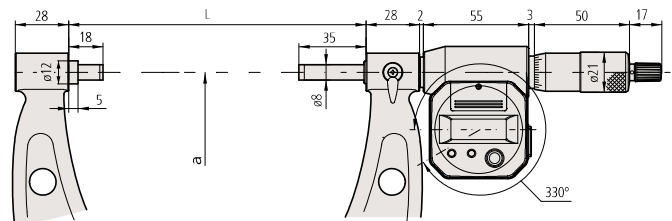


Ratchet thimble type / Friction thimble type



Ratchet stop type over 100mm

Range	L	a	b	c	Mass
0 - 25mm	0	2.8	9	25	270g
25 - 50mm	25	2.8	9.8	32	330g
50 - 75mm	50	2.8	12.6	47	470g
75 - 100mm	75	2.8	14	60	625g
100 - 125mm	132.8	5.3	16.7	76	600g
125 - 150mm	158.2	5.7	18.8	90	740g
150 - 175mm	183.6	6.1	19.1	102	800g
175 - 200mm	208.8	6.3	18.2	115	970g
200 - 225mm	234.2	6.7	16.8	127	1100g
225 - 250mm	258	5.5	18	139	1270g
250 - 275mm	284	6.5	18	152	1340g
275 - 300mm	309	6.5	18	166	1540g



Range	L	a
300 - 325mm	353	187
325 - 350mm	378	199
350 - 375mm	403	212
375 - 400mm	428	224
400 - 425mm	453	236
425 - 450mm	478	248
450 - 475mm	503	261
475 - 500mm	528	273