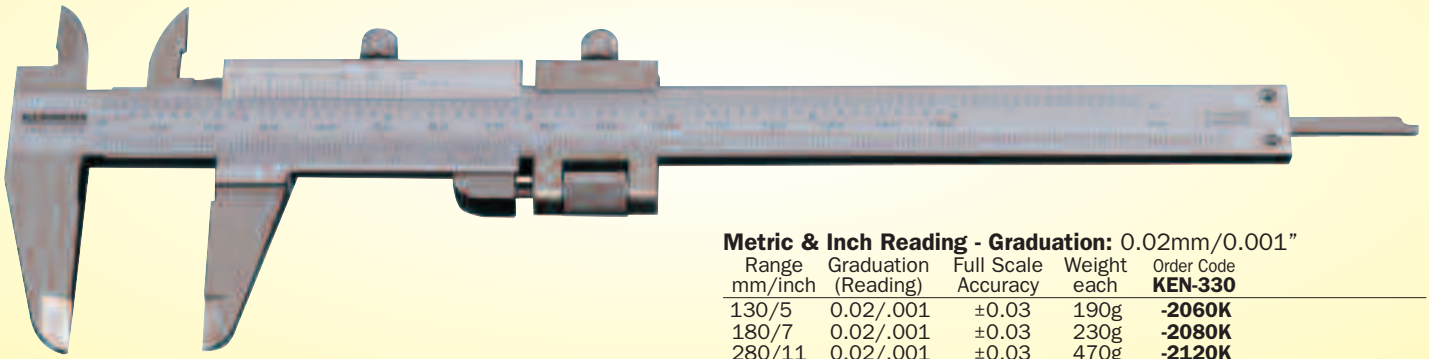


**KENNEDY** *Fine Adjustment Vernier Calipers*  
QUALITY INDUSTRIAL TOOLING



Incorporating Quadri feature - gives outside, inside, depth and step readings. Fine adjustment feature allows improved sensitivity of slider movement. 14° vernier face angle reduces parallax. Satin chrome finish with clear easy read graduations.



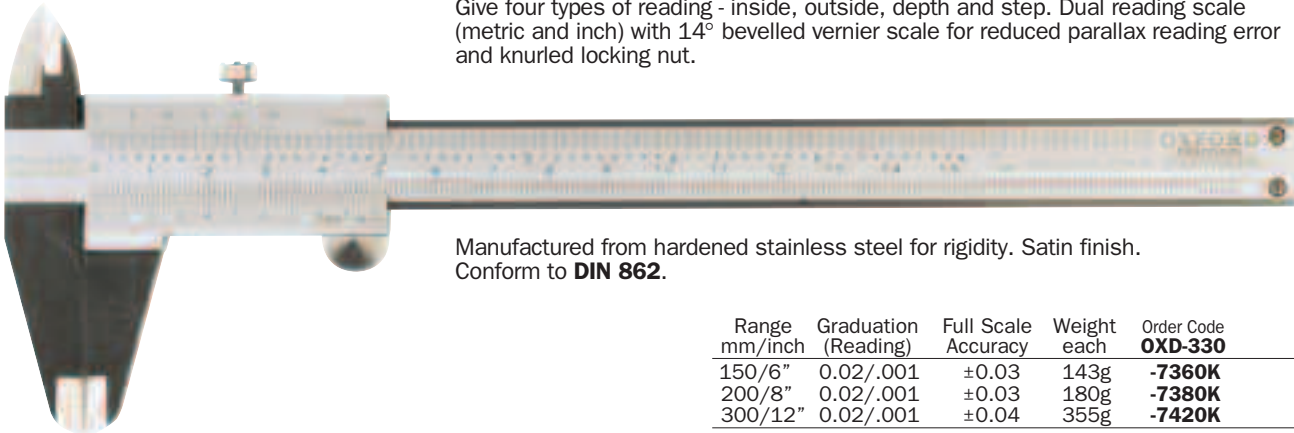
**Metric & Inch Reading - Graduation: 0.02mm/0.001"**

Range mm/inch	Graduation (Reading)	Full Scale Accuracy	Weight each	Order Code
130/5	0.02/.001	±0.03	190g	<b>-2060K</b>
180/7	0.02/.001	±0.03	230g	<b>-2080K</b>
280/11	0.02/.001	±0.03	470g	<b>-2120K</b>

**OXFORD** *Standard Vernier Calipers*  
PRECISION



Give four types of reading - inside, outside, depth and step. Dual reading scale (metric and inch) with 14° bevelled vernier scale for reduced parallax reading error and knurled locking nut.

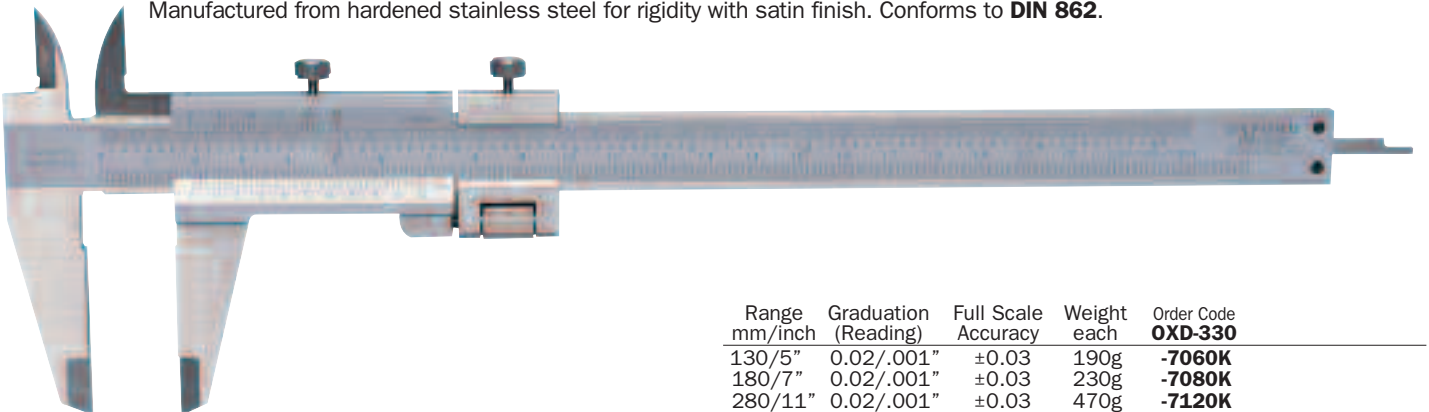


Manufactured from hardened stainless steel for rigidity. Satin finish. Conform to **DIN 862**.

Range mm/inch	Graduation (Reading)	Full Scale Accuracy	Weight each	Order Code
150/6"	0.02/.001	±0.03	143g	<b>-7360K</b>
200/8"	0.02/.001	±0.03	180g	<b>-7380K</b>
300/12"	0.02/.001	±0.04	355g	<b>-7420K</b>

**Fine Adjustment Vernier Calipers**

Give four types of reading, inside, outside, depth and step. Dual reading scale (metric and inch) with 14° bevelled vernier scale for reduced parallax reading error, fine adjustment assembly and knurled locking nut. Manufactured from hardened stainless steel for rigidity with satin finish. Conforms to **DIN 862**.



Range mm/inch	Graduation (Reading)	Full Scale Accuracy	Weight each	Order Code
130/5"	0.02/.001"	±0.03	190g	<b>-7060K</b>
180/7"	0.02/.001"	±0.03	230g	<b>-7080K</b>
280/11"	0.02/.001"	±0.03	470g	<b>-7120K</b>

**Heavy Duty Vernier Calipers**

Give inside and outside readings. Dual reading scale (metric and inch) with 14° bevelled vernier scale for reduced parallax reading error, fine adjustment assembly and knurled locking nut. Internal reading edges have rounded faces for accurate bore measurement. Manufactured from hardened stainless steel.



Range mm/inch	Graduation (Reading)	Full Scale Accuracy	Weight each	Order Code
450/18"	0.02/0.001	±0.1	2.25kg	<b>-7180K</b>
600/24"	0.02/0.001	±0.1	2.40kg	<b>-7240K</b>

**Depth Gauge Attachment**

Stainless steel depth gauge attachment for use with 150 and 200mm (6" and 8") depth gauges. 16mm vernier recess width with knurled locking nut.



Size	Models suited (mm)	Weight each	Order Code
75mm	150/200	45g	<b>-9600K</b>